

New Generation

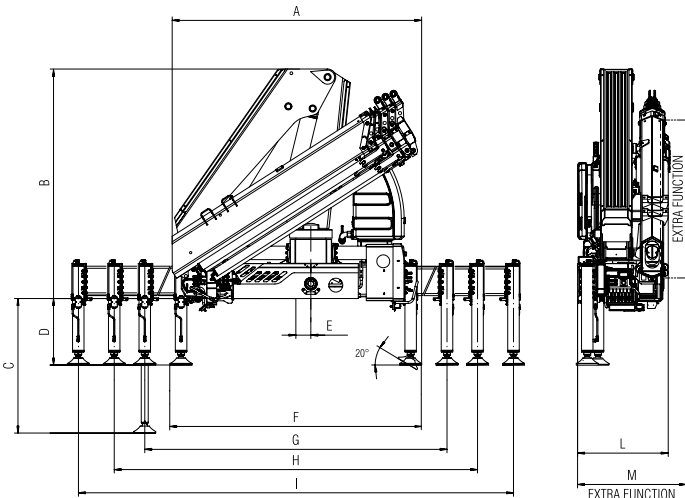
813NG

817NG



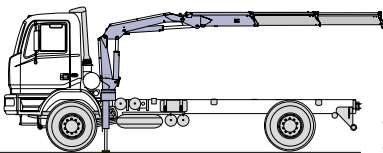
AMCO  **VEBA**
A HYVA GROUP COMPANY

Technical data NG



	813NG							817NG										
1S	kg	12440	2740	1940														813NG
	m	1,00*	4,54	6,34														817NG
	kg	15840	3490	2475														817NG
	m	1,00*	4,54	6,34														817NG
2S	kg	11850	2610	1810	1395	1010	755	560										813NG
	m	1,00*	4,54	6,34	8,14	10,36	12,34	14,39										813NG
	kg	15030	3310	2305	1775	1305	980	740										817NG
	m	1,00*	4,54	6,34	8,14	10,36	12,34	14,39										817NG
3S	kg	11430	2475	1690	1280	1015	755	560	410									813NG
	m	1,00*	4,62	6,42	8,22	10,20	12,34	14,39	16,49									813NG
	kg	14550	3150	2170	1645	1305	980	740	535									817NG
	m	1,00*	4,62	6,42	8,22	10,20	12,34	14,39	16,49									817NG
4S	kg	11090	2355	1585	1175	910	755	560	410									813NG
	m	1,00*	4,71	6,51	8,31	10,29	12,27	14,39	16,49									813NG
	kg	14150	3005	2040	1520	1185	980	740	535									817NG
	m	1,00*	4,71	6,51	8,31	10,29	12,27	14,39	16,49									817NG
5S	kg	10730	2245	1490	1085	825	665	560	410									813NG
	m	1,00*	4,78	6,58	8,38	10,36	12,34	14,39	16,49									813NG
	kg	13740	2875	1925	1410	1080	875	740	535									817NG
	m	1,00*	4,78	6,58	8,38	10,36	12,34	14,39	16,49									817NG

*) theoretical lifting capacity



Recommended truck:
813NG - M.T.T. ton 12 - G.V.W. ton 12
817NG - M.T.T. ton 15 - G.V.W. ton 15

	813NG					817NG				
	1S	2S	3S	4S	5S	1S	2S	3S	4S	5S
A	2490	2490	2490	2490	2490	2490	2490	2490	2490	2490
B	2295	2295	2295	2295	2295	2295	2295	2295	2295	2295
C	1374	1374	1374	1374	1374	1355	1355	1355	1355	1355
D	682	682	682	682	682	673	673	673	673	673
E	160	160	160	160	160	160	160	160	160	160
F	2445	2445	2445	2445	2445	2470	2470	2470	2470	2470
G	4200	4200	4200	4200	4200	4225	4225	4225	4225	4225
H	5400	5400	5400	5400	5400	5425	5425	5425	5425	5425
I	6600	6600	6600	6600	6600	6625	6625	6625	6625	6625
L	825	825	825	825	895	825	825	825	825	905
M	930	930	930	930	975	940	940	940	940	985

Standard

- Cross controls
- Load limit device
- Flanged valves
- Designed in accordance with EN12999
- Design class: HC1-HD4
- Oil tank
- Manually extendable stabilizers
- Internal stabilizer pipes
- Fixed stabilizer cylinders
- Swivel stabilizer foot
- Centralized greasing system
- SGS Sprint Generation System
- SDD Soft Descent Drive
- 3XL Crane control system (CE)

	Lift Moment	Slewing Angle	Working pressure	Oil tank capacity	Oil flow	Max Vertical Reach (Hydr)	Crane weight without stabilizers
	tm	°	bar	l	l/min	m	kg
813NG							
1S	12,4	425	285	130	30	9,9	1335
2S	-	425	285	130	30	11,7	1445
3S	-	425	285	130	30	13,7	1570
4S	-	425	285	130	30	15,7	1660
5S	-	425	285	130	30	17,8	1745
817NG							
1S	15,8	425	280	130	40	9,9	1525
2S	-	425	280	130	40	11,7	1660
3S	-	425	280	130	40	13,7	1775
4S	-	425	280	130	40	15,7	1880
5S	-	425	280	130	40	17,8	1970

AMCO **VEBA**
 A HYVA GROUP COMPANY

H.C.E. s.r.l. unico socio
 Via Einstein, 4
 42028 Poggio (RE) Italy
 Tel. +39 0522 40.80.11
 Fax +39 0522 40.80.80
 info@amcoveba.it
 commerciale@amcoveba.it
 www.amcoveba.com



ISO 9001 • ISO 14001

Dealer