

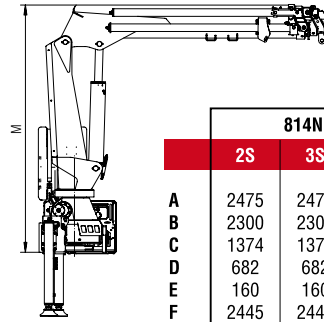
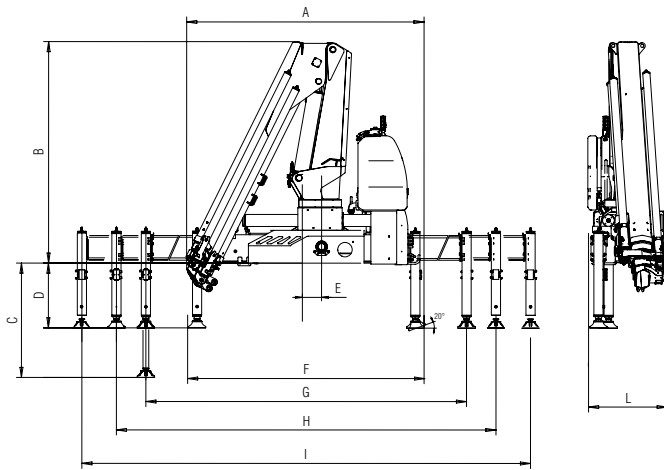
New Generation
814NG T
818NG T



AMCO  **VEBA**
A HYVA GROUP COMPANY

New Generation

Technical data NG T



	814NG T			818NG T		
	2S	3S	4S	2S	3S	4S
A	2475	2475	2475	2485	2485	2485
B	2300	2300	2300	2300	2300	2300
C	1374	1374	1374	1355	1355	1355
D	682	682	682	673	673	673
E	160	160	160	160	160	160
F	2445	2445	2445	2470	2470	2470
G	4200	4200	4200	4225	4225	4225
H	5400	5400	5400	5425	5425	5425
I	6600	6600	6600	6625	6625	6625
L	830	830	830	840	840	840
M	2620	2620	2620	2620	2620	2620

814NG T 2S

kg	13120	5085	2940	2060
m	1,00*	2,58	4,38	6,18

814NG T 3S

kg	12970	4875	2800	1940	1460
m	1,00*	2,66	4,46	6,26	8,24

814NG T 4S

kg	12810	4675	2675	1835	1360	1080
m	1,00*	2,74	4,54	6,34	8,32	10,30

818NG T 2S

kg	16430	6370	3695	2600
m	1,00*	2,58	4,38	6,18

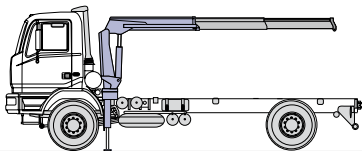
818NG T 3S

kg	16270	6115	3535	2470	1855
m	1,00*	2,66	4,46	6,26	8,24

818NG T 4S

kg	15970	5830	3365	2325	1725	1380
m	1,00*	2,74	4,54	6,34	8,32	10,30

*) theoretical lifting capacity



Recommended truck **814NG T** - M.T.T. ton 12 - G.V.W. ton 12
818NG T - M.T.T. ton 15 - G.V.W. ton 15

Standard

- Cross controls
- Load limit device
- Flanged valves
- Designed in accordance with EN12999
- Design class: HC1-HD4
- Oil tank
- Manually extendable stabilizers
- Internal stabilizer pipes
- Fixed stabilizer cylinders
- Swivel stabilizer foot
- Centralized greasing system
- SDD Smooth Descent Drive
- 3XL Crane control system (CE)

	Lift Moment	Slewing Angle	Working pressure	Oil tank capacity	Oil flow	Max Vertical Reach (Hydr)	Crane weight without stabilizers
	tm	°	bar	l	l/min	m	kg
814NG T							
2S	13,1	425	285	130	30	9,8	1285
3S	-	425	285	130	30	11,8	1385
4S	-	425	285	130	30	13,8	1480
818NG T							
2S	16,4	425	290	130	40	9,8	1370
3S	-	425	290	130	40	11,8	1485
4S	-	425	290	130	40	13,8	1575

AMCO **VEBA**
 A HYVA GROUP COMPANY

H.C.E. s.r.l. unico socio

Via Einstein, 4
 42028 Poggio (RE) Italy
 Tel. +39 0522 40.80.11
 Fax +39 0522 40.80.80
 info@amcoveba.it
 commerciale@amcoveba.it
 www.amcoveba.com



Dealer