

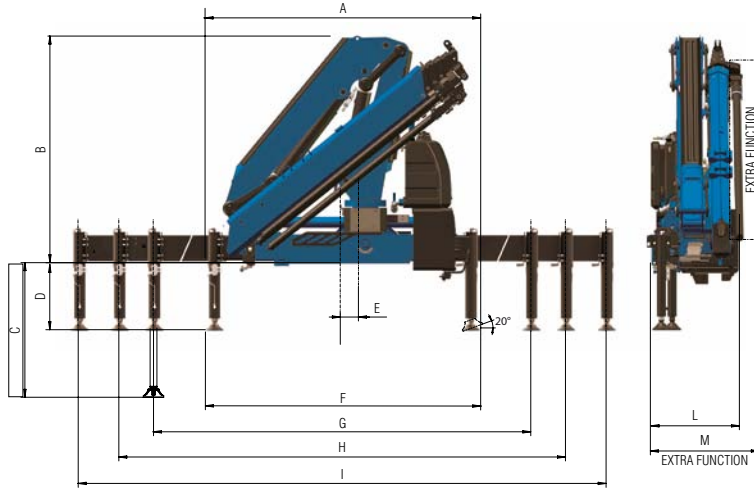
New Generation
924NG



AMCO / VEBA
LIFTING BEYOND HORIZONS

New Generation

Technical data 924NG



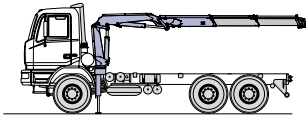
	E2	E3	E4	E5	E6	E7	E8	E4J3	E5J3	E6J2
A	2500	2500	2500	2500	2500	2500	2500	2520	2500	2500
B	2300	2300	2300	2300	2300	2300	2330	2715	2615	2605
C	1348	1348	1348	1348	1348	1348	1348	1348	1348	1348
D	611/666	611/666	611/666	611/666	611/666	611/666	611/666	611/666	611/666	611/666
E	150	150	150	150	150	150	150	150	150	150
F	2520	2520	2520	2520	2520	2520	2520	2520	2520	2520
G	4860	4860	4860	4860	4860	4860	4860	4860	4860	4860
H	5500	5500	5500	5500	5500	5500	5500	5500	5500	5500
I	7420	7420	7420	7420	7420	7420	7420	7420	7420	7420
L	935	935	935	935	935	1005	1005	1055	1055	1055
M	1055	1055	1055	1055	1055	1080	1080	-	-	-

Standard

- Designed in accordance with EN12999
- Design class: HC1-HD4
- Cross controls
- Flanged valves
- Oil tank
- Manually extendable stabilizers
- Fixed stabilizer cylinders
- Swivel stabilizer foot
- Centralized greasing system
- Double linkage
- SGS Sprint Generation System
- SDD Soft Descent Drive
- 3XL Crane control system (CE)

2S	kg	22534	5265	3595	2730							
	m	1,00*	4,28	6,18	8,08							
3S	kg	22149	5175	3495	2625	2080	1600	1300	1000			
	m	1,00*	4,28	6,18	8,08	10,11	12,22	14,44	16,65			
4S	kg	21289	4885	3270	2425	1895	1565	1240	1000	605		
	m	1,00*	4,36	6,26	8,33	10,19	12,22	14,44	16,65	18,90		
5S	kg	20468	4610	3055	2235	1720	1400	1180	900	750	535	
	m	1,00*	4,44	6,34	8,24	10,27	12,30	14,43	16,65	18,90	21,18	
6S	kg	20067	4430	2910	2105	1595	1275	1055	905	605	535	
	m	1,00*	4,53	6,43	8,33	10,36	12,39	14,52	16,65	18,90	21,18	
7S	kg	19684	4270	2780	1985	1480	1160	940	795	695	570	350
	m	1,00*	4,61	6,51	8,41	10,44	12,47	14,60	16,73	18,90	21,18	23,28
8S	kg	19411	4130	2670	1890	1390	1070	850	705	605	535	450
	m	1,00*	4,70	6,60	8,50	10,53	12,56	14,69	16,82	18,98	21,18	23,28
4SJ3	kg						660	570	500	450	375	315
	m						15,21	16,91	18,66	20,41	22,30	24,21
5SJ3	kg						530	475	430	400	345	300
	m						17,26	18,82	20,38	21,94	23,60	25,38
6SJ2	kg						540	500	460			
	m						19,38	20,76	22,24			

*) theoretical lifting capacity



Recommended truck:
M.T.T. ton 19 - G.V.W. ton 19

AMCO VEBA
LIFTING BEYOND HORIZONS

H.C.E. s.r.l. unico socio
Via Einstein, 4
42028 Poggio (RE) Italy
Tel. +39 0522 40.80.11
Fax +39 0522 40.80.80
info@amcoveba.it
commerciale@amcoveba.it
www.amcoveba.com



Dealer

	Lifting Moment	Slewing Angle	Working pressure	Oil tank capacity	Oil flow	Max Vertical Reach (Hydr)	Crane weight without stabilizers
	tm	°	bar	l	l/min	m	kg
2S	22,5	415	315	130	80	11,7	2315
3S	-	415	310	130	80	13,8	2455
4S	-	415	310	130	80	15,9	2595
5S	-	415	310	130	80	18,1	2720
6S	-	415	310	130	80	20,3	2825
7S	-	415	310	130	80	22,5	2945
8S	-	415	310	130	80	24,8	3035
4SJ3	-	415	325	130	80	24,1	3255
5SJ3	-	415	330	130	80	25,6	3210
6SJ2	-	415	325	130	80	25,9	3100

Data, descriptions, and illustrations pertain only and uniquely to models sold at the time of printing of this brochure. After the date of printing, this information is purely indicative and not binding upon H.C.E. Future modifications are solely at the discretion of H.C.E. and are always in compliance with applicable and pertinent safety standards. To obtain updated data, descriptions, and illustrations, contact the manufacturer or your reseller. Cranes manufactured and/or marketed by H.C.E. are not responsible for the special applications depicted. Crane applications and accessories described herein are only examples. Some applications and equipment shown may not be approved for use in CE countries or other areas. It is the installer's responsibility to ensure that the crane is applied correctly, and that its application, installation, and accessories maintain safety and comply with all local laws.