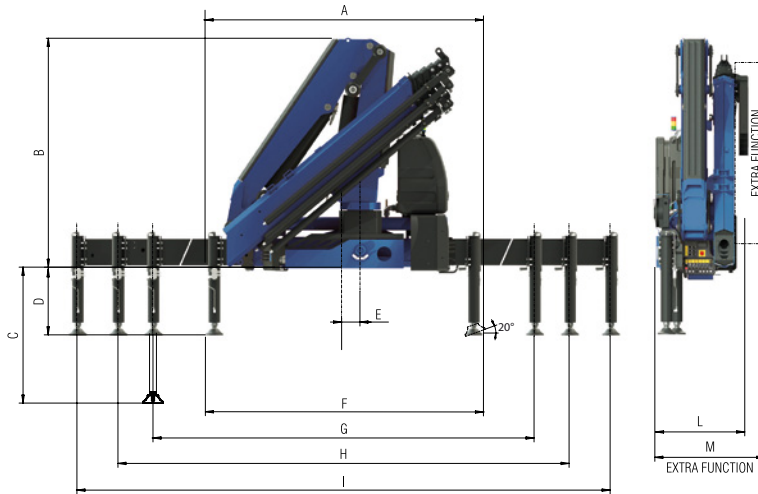


New Generation 915NG



AMCO / **VEBA**
A HYVA GROUP COMPANY

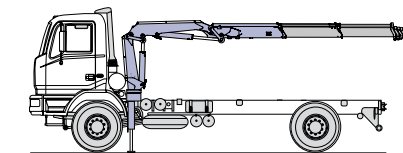
Technical data 915NG



	2S	3S	4S	5S	6S	3SJ2	4SJ2
A	2450	2450	2450	2450	2450	2450	2450
B	2330	2330	2330	2330	2330	2450	2500
C	1374	1374	1374	1374	1374	1374	1374
D	682	682	682	682	682	682	682
E	160	160	160	160	160	160	160
F	2445	2445	2445	2445	2445	2445	2445
G	4200	4200	4200	4200	4200	4200	4200
H	5400	5400	5400	5400	5400	5400	5400
I	6600	6600	6600	6600	6600	6600	6600
L	825	825	825	895	895	940	940
M	930	930	930	975	975	-	-

Model	kg	kg	kg	kg	kg	kg	kg	kg	kg	kg			
2S	12390	2675	1840	1415	1045	780	575						
m	1,00*	4,63	6,58	8,53	10,91	12,96	15,11						
3S	11940	2535	1720	1295	1045	780	575	420					
m	1,00*	4,71	6,66	8,61	10,66	12,96	15,11	17,26					
4S	11570	2410	1605	1185	930	780	575	420	320				
m	1,00*	4,80	6,75	8,70	10,75	12,80	15,11	17,26	19,36				
5S	11180	2290	1500	1080	830	675	575	420	320				
m	1,00*	4,88	6,83	8,78	10,83	12,88	15,03	17,26	19,36				
6S	10840	2185	1405	990	740	585	480	420	320				
m	1,00*	4,96	6,91	8,86	10,91	12,96	15,11	17,26	19,36				
3SJ2								465	420	380	290		
m								13,35	14,75	16,22	17,80		
4SJ2										290	250	230	160
m										15,50	16,85	18,35	19,89

*) theoretical lifting capacity



Recommended truck:
M.T.T. ton 12 - G.V.W. ton 12

Standard

- Cross controls
- Load limit device
- Flanged valves
- Designed in accordance with EN12999
- Design class: HC1-HD4
- Oil tank
- Manually extendable stabilizers
- Internal stabilizer pipes
- Fixed stabilizer cylinders
- Swivel stabilizer foot
- Centralized greasing system
- Double linkage
- SGS Sprint Generation System
- SDD Soft Descent Drive
- 3XL Crane control system (CE)

	Lift Moment	Swing Angle	Working pressure	Oil tank capacity	Oil flow	Max Vertical Reach (Hyd)	Crane weight without stabilizers
	tm	°	bar	l	l/min	m	kg
2S	12,4	425	305	130	30	12,2	1610
3S	-	425	305	130	30	14,4	1725
4S	-	425	305	130	30	16,5	1830
5S	-	425	305	130	30	18,8	1930
6S	-	425	305	130	30	21,0	2020
3SJ2	-	425	305	130	30	19,8	2065
4SJ2	-	425	305	130	30	22,0	2185

AMCO VEBA
A HYVA GROUP COMPANY

H.C.E. s.r.l. unico socio
Via Einstein, 4
42028 Poviglio (RE) Italy
Tel. +39 0522 40.80.11
Fax +39 0522 40.80.80
info@amcoveba.it
commerciale@amcoveba.it
www.amcoveba.com



Dealer