

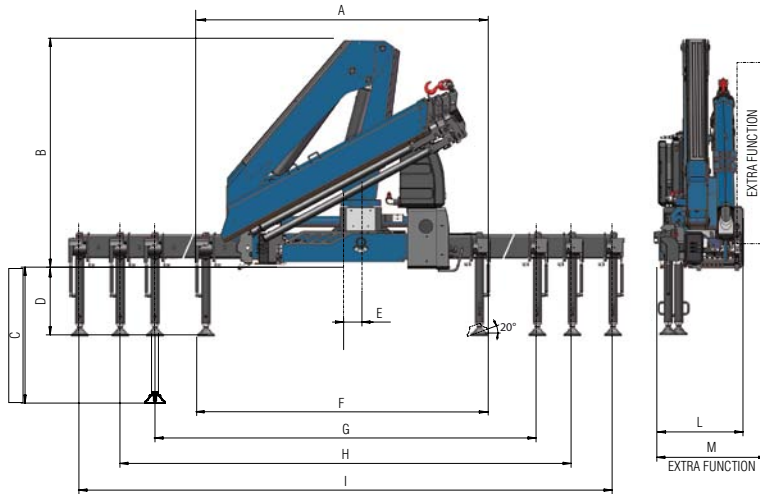
New Generation
811NG



AMCO  **VEBA**
LIFTING BEYOND HORIZONS

New Generation

Technical data 811NG



1S	kg	10535	2580	1820
	m	1,00*	4,10	5,79

2S	kg	9955	2475	1715	1320	865	720
	m	1,00*	4,11	5,79	7,48	9,36	11,23

3S	kg	9185	2280	1565	1185	945	720	575
	m	1,00*	4,19	5,87	7,56	9,36	11,23	13,27

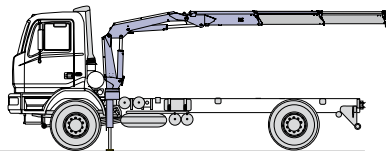
4S	kg	8775	2170	1475	1100	865	715	575
	m	1,00*	4,27	5,95	7,64	9,44	11,24	13,27

*) theoretical lifting capacity

	1S	2S	3S	4S
A	2310	2310	2310	2310
B	2100	2100	2100	2100
C	1325	1325	1325	1325
D	635/690	635/690	635/690	635/690
E	160	160	160	160
F	2305	2305	2305	2305
G	3300	3300	3300	3300
H	4805	4805	4805	4805
I	5765	5765	5765	5765
L	840	840	840	840
M	890	890	890	945

Standard

- Designed in accordance with EN12999
- Design class: HC1-HD4
- Cross controls
- Flanged valves
- Oil tank
- Manually extendable stabilizers
- Fixed stabilizer cylinders
- Swivel stabilizer foot
- Centralized greasing system
- SGS Sprint Generation System
- SDD Soft Descent Drive
- 3XL Crane control system (CE)



Recommended truck:
M.T.T. ton 10 - G.V.W. ton 10

	Lifting Moment	Slewing Angle	Working pressure	Oil tank capacity	Oil flow	Max Vertical Reach (Hydr)	Crane weight without stabilizers
	tm	°	bar	l	l/min	m	kg
1S	10,5	425	310	75	40	9,2	1080
2S	-	425	310	75	40	10,8	1180
3S	-	425	310	75	40	12,6	1270
4S	-	425	310	75	40	14,4	1360

AMCO VEBA
LIFTING BEYOND HORIZONS

H.C.E. s.r.l. unico socio
Via Einstein, 4
42028 Poggio (RE) Italy
Tel. +39 0522 40.80.11
Fax +39 0522 40.80.80
info@amcoveba.it
commerciale@amcoveba.it
www.amcoveba.com



ISO 9001 • ISO 14001

Dealer