

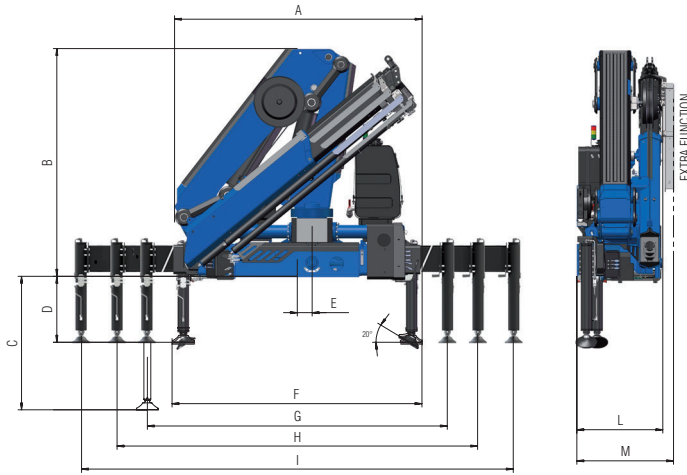
New Generation
924NG
C



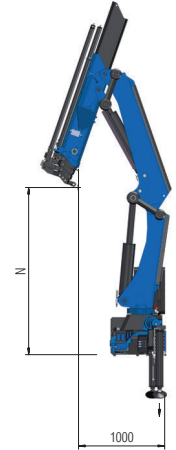
AMCO  **VEBA**
LIFTING BEYOND HORIZONS

New Generation

Technical data 924NG C



	2S	3S	4S
A	2520	2520	2520
B	2300	2300	2300
C	1348	1348	1348
D	611/666	611/666	611/666
E	150	150	150
F	2520	2520	2520
G	4860	4860	4860
H	5500	5500	5500
I	7420	7420	7420
L	930	930	930
M	1055	1055	1055
N	2578	2578	2489



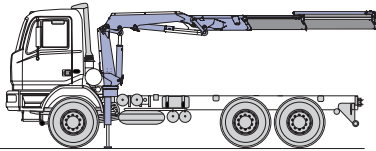
Model	kg	kg	kg	kg	kg	kg
2S	22715	6090	4455	3190		
3S	21875	5865	4255	3010	2305	
4S	21145	5550	4005	2800	2115	1710

Model	m	m	m	m	m	m
2S	1,00*	3,73	5,06	7,03		
3S	1,00*	3,73	5,06	7,03	9,10	
4S	1,00*	3,81	5,14	7,11	9,18	11,25

*) theoretical lifting capacity

Standard

- Designed in accordance with EN12999
- Design class: HC1-S2
- Cross controls
- Load limit device
- Flanged valves
- Oil tank
- Manually extendable stabilizers
- Internal stabilizer pipes
- Fixed stabilizer cylinders
- Swivel stabilizer foot
- Centralized greasing system
- Double linkage
- SGS Sprint Generation System
- SDD Soft Descent Drive
- 3XL Crane control system (CE)



Recommended truck:
M.T.T. ton 19 - G.V.W. ton 19

	Lifting Moment	Swing Angle	Working pressure	Oil tank capacity	Oil flow	Max Vertical Reach (Hydr)	Crane weight without stabilizers
	tm	°	bar	l	l/min	m	kg
2S	22,7	415	300	130	80	10,7	2245
3S	-	415	300	130	80	12,8	2385
4S	-	415	300	130	80	14,9	2525

AMCO VEBA
LIFTING BEYOND HORIZONS

H.C.E. s.r.l. unico socio
Via Einstein, 4
42028 Poviglio (RE) Italy
Tel. +39 0522 40.80.11
Fax +39 0522 40.80.80
info@amcoveba.it
commerciale@amcoveba.it
www.amcoveba.com



ISO 9001 • ISO 14001

Dealer