

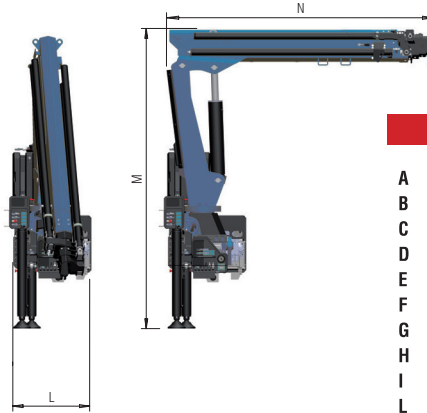
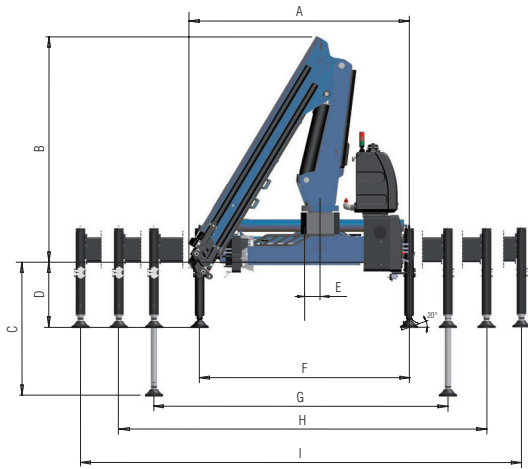
New Generation
810NG
T



AMCO  **VEBA**
LIFTING BEYOND HORIZONS

New Generation

Technical data 810NG T



	2S	3S	4S
A	2315	2315	2315
B	2295	2295	2295
C	1185	1185	1185
D	530/585	530/585	530/585
E	160	160	160
F	2270	2270	2270
G	3290	3290	3290
H	4790	4790	4790
I	5755	5755	5755
L	825	825	825
M	2365	2365	2365
N	2590	2660	2750

2S

kg	8770	4060	2150	1445
m	1,00*	2,16	4,07	5,98

3S

kg	8736	3900	2040	1375	990
m	1,00*	2,24	4,15	6,05	8,00

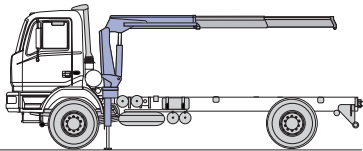
4S

kg	8547	3700	1940	1290	945	735
m	1,00*	2,31	4,22	6,13	8,08	10,03

*) theoretical lifting capacity

Standard

- Designed in accordance with EN12999
- Design class: HC1-HD4
- Cross controls
- Flanged valves
- Oil tank
- Manually extendable stabilizers
- Fixed stabilizer cylinders
- Swivel stabilizer foot
- Centralized greasing system
- SDD Smooth Descent Drive
- 3XL Crane control system (CE)



Recommended truck:
M.T.T. ton 8 - G.V.W. ton 8

	Lift Moment	Slewing Angle	Working pressure	Oil tank capacity	Oil flow	Max Vertical Reach (Hydr)	Crane weight without stabilizers
	tm	°	bar	l	l/min	m	kg
2S	8,8	425	310	75	40	9,2	945
3S	-	425	310	75	40	11,1	1040
4S	-	425	310	75	40	13,1	1115

AMCO VEB
LIFTING BEYOND HORIZONS

H.C.E. s.r.l. unico socio
Via Einstein, 4
42028 Poviglio (RE) Italy
Tel. +39 0522 40.80.11
Fax +39 0522 40.80.80
info@amcoveba.it
commerciale@amcoveba.it
www.amcoveba.com



Dealer