

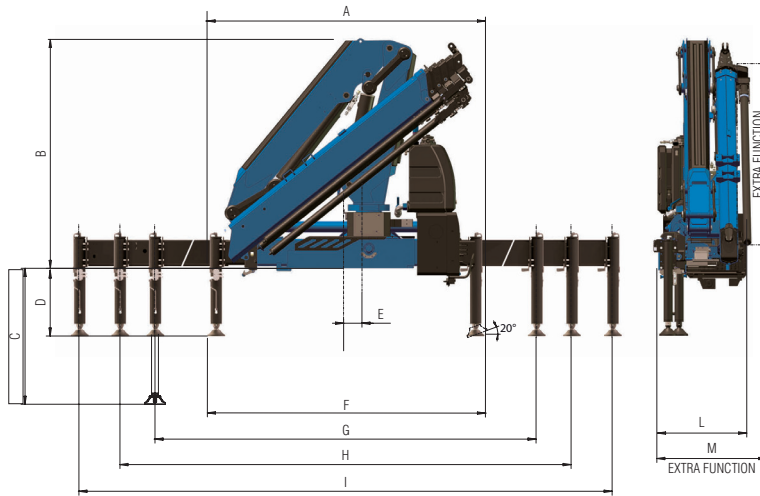
New Generation
922NG



AMCO  **VEBA**
LIFTING BEYOND HORIZONS

New Generation

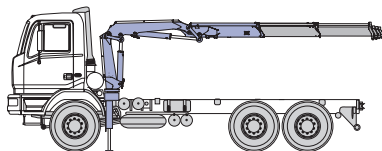
Technical data 922NG



Model	kg	kg	kg	kg	kg	kg	kg	kg	kg
2S	19810	4760	3245	2475					
3S	18745	4640	3110	2310	1870	1240	1065	725	
4S	18160	4420	2970	2140	1700	1395	1065	835	600
5S	17585	4280	2730	2020	1545	1250	1070	840	705
6S	17225	4100	2615	1910	1485	1180	1000	840	705
3SJ3					775	660	580	525	
4SJ3					635	565	510	470	
5SJ2					590	540	510		

m 1,00* m 4,35 m 6,32 m 8,29 m 10,36 m 12,51 m 14,73 m 17,01 m 19,11 m 17,01 m 19,11 m 17,01 m 19,11 m 13,36 m 15,06 m 16,81 m 18,56 m 15,43 m 16,99 m 18,55 m 20,11 m 17,41 m 18,79 m 20,27

*) theoretical lifting capacity



Recommended truck:
M.T.T. ton 19 - G.V.W. ton 19

	2S	3S	4S	5S	6S	3SJ3	4SJ3	5SJ2
A	2500	2500	2500	2500	2500	2500	2500	2500
B	2300	2300	2300	2300	2300	2670	2600	2550
C	1348	1348	1348	1348	1348	1348	1348	1348
D	611/666	611/666	611/666	611/666	611/666	611/666	611/666	611/666
E	150	150	150	150	150	150	150	150
F	2520	2520	2520	2520	2520	2520	2520	2520
G	4860	4860	4860	4860	4860	4860	4860	4860
H	5500	5500	5500	5500	5500	5500	5500	5500
I	7420	7420	7420	7420	7420	7420	7420	7420
L	930	930	930	930	930	1050	1050	1050
M	1050	1050	1050	1120	1120	-	-	-

Standard

- Designed in accordance with EN12999
- Design class: HC1-HD4
- Cross controls
- Load limit device
- AVPS Amco Veba Power System
- Flanged valves
- Oil tank
- Manually extendable stabilizers
- Fixed stabilizer cylinders
- Swivel stabilizer foot
- Centralized greasing system
- Double linkage
- SGS Sprint Generation System
- SDD Soft Descent Drive
- 3XL Crane control system (CE)

	Lifting Moment	Swewing Angle	Working pressure	Oil tank capacity	Oil flow	Max Vertical Reach (Hydr)	Crane weight without stabilizers
	tm	°	bar	l	l/min	m	kg
2S	20,7	415	335	130	70	12,0	2210
3S	-	415	335	130	70	14,1	2360
4S	-	415	335	130	70	16,2	2510
5S	-	415	335	130	70	18,4	2630
6S	-	415	335	130	70	20,7	2725
3SJ3	-	415	-	130	70	22,2	3020
4SJ3	-	415	-	130	70	23,8	3000
5SJ2	-	415	-	130	70	23,9	2905

AMCO Veba
LIFTING BEYOND HORIZONS

H.C.E. s.r.l. unico socio
Via Einstein, 4
42028 Poviglio (RE) Italy
Tel. +39 0522 40.80.11
Fax +39 0522 40.80.80
info@amcoveba.it
commerciale@amcoveba.it
www.amcoveba.com



ISO 9001 • ISO 14001

Dealer

Data, descriptions, and illustrations pertain only and uniquely to models sold at the time of printing of this brochure. After the date of printing, this information is purely indicative and not binding upon H.C.E. Future modifications are solely at the discretion of H.C.E. and are always in compliance with applicable and pertinent safety standards. To obtain updated data, descriptions, and illustrations, contact the manufacturer or your reseller. Cranes manufactured and/or marketed by H.C.E. is not responsible for the special applications depicted. Crane applications and accessories described herein are only examples. Some applications and equipment shown may not be approved for use in CE countries or other areas. It is the installer's responsibility to ensure that the crane is applied correctly, and that its application, installation, and accessories maintain safety and comply with all local laws.