

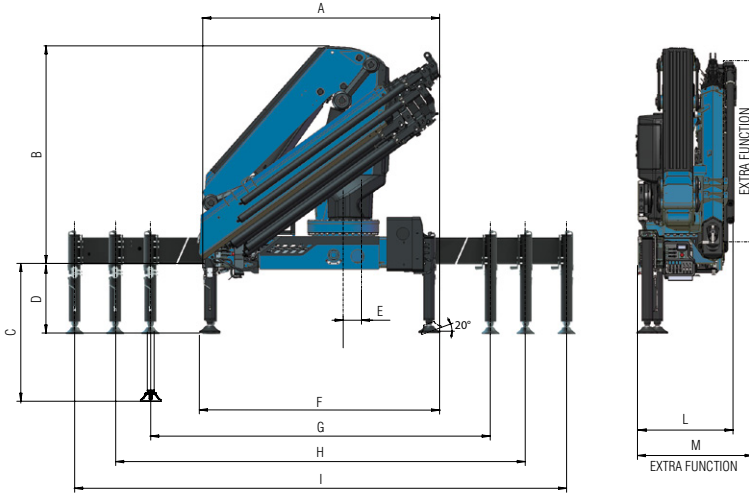
New Generation
VR26NG



AMCO  **VEBA**
LIFTING BEYOND HORIZONS

New Generation

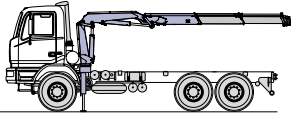
Technical data VR26NG



	E2	E3	E4	E5	E6	E7	E8	E4J3	E5J3	E6J2
A	2530	2530	2530	2530	2530	2530	2530	2575	2550	2540
B	2335	2335	2335	2335	2335	2335	2335	2700	2595	2580
C	1348	1348	1348	1348	1348	1348	1348	1348	1348	1348
D	611/666	611/666	611/666	611/666	611/666	611/666	611/666	611/666	611/666	611/666
E	250	250	250	250	250	250	250	250	250	250
F	2520	2520	2520	2520	2520	2520	2520	2520	2520	2520
G	4860	4860	4860	4860	4860	4860	4860	4860	4860	4860
H	5500	5500	5500	5500	5500	5500	5500	5500	5500	5500
I	7420	7420	7420	7420	7420	7420	7420	7420	7420	7420
L	980	980	980	980	980	1055	1055	1100	1100	1100
M	1100	1100	1100	1100	1100	1130	1130	-	-	-

2S	kg	24800	5795	3965	3015							
	m	1,00*	4,28	6,18	8,08							
3S	kg	24310	5680	3850	2895	2300	1845	1500	1000			
	m	1,00*	4,28	6,18	8,08	10,11	12,22	14,44	16,65			
4S	kg	23780	5455	3670	2735	2145	1775	1430	1175	605		
	m	1,00*	4,36	6,26	8,33	10,19	12,22	14,44	16,65	18,90		
5S	kg	23350	5260	3515	2595	2010	1640	1385	1145	960	535	
	m	1,00*	4,44	6,34	8,24	10,27	12,30	14,43	16,65	18,90	21,18	
6S	kg	22965	5070	3365	2460	1880	1510	1260	1085	765	680	
	m	1,00*	4,53	6,43	8,33	10,36	12,39	14,52	16,65	18,90	21,18	
7S	kg	22635	4910	3240	2345	1770	1405	1150	980	855	725	630
	m	1,00*	4,61	6,51	8,41	10,44	12,47	14,60	16,73	18,90	21,18	23,28
8S	kg	22345	4755	3120	2240	1670	1310	1060	885	765	680	580
	m	1,00*	4,70	6,60	8,50	10,53	12,56	14,69	16,82	18,98	21,18	23,28
4SJ3	kg					855	745	660	595	510	435	
	m					15,21	16,91	18,66	20,41	22,30	24,21	
5SJ3	kg					695	625	570	525	465	415	
	m					17,26	18,82	20,38	21,94	23,60	25,38	
6SJ2	kg					650	600	560				
	m					19,38	20,76	22,24				

*) theoretical lifting capacity



Recommended truck:
M.T.T. ton 18 - G.V.W. ton 18

Standard

- Designed in accordance with EN12999
- Design class: HC1-HD5
- Multifunctional radio remote control
- Sauer Danfoss PVG32
- Super AVPS Amco Veba Power System
- Flanged valves
- Oil tank
- Manually extendable stabilizers
- Fixed stabilizer cylinders
- Swivel stabilizer foot
- Centralized greasing system
- Double linkage
- SGS Sprint Generation System
- SDD Soft Descent Drive
- 3XL Crane control system (CE)

	Lifting Moment	Sweling Angle	Working pressure	Oil tank capacity	Oil flow	Max Vertical Reach (Hydr)	Crane weight without stabilizers
	tm	°	bar	l	l/min	m	kg
2S	24,8	Endless	345	130	80	11,7	2460
3S	-	Endless	345	130	80	13,8	2600
4S	-	Endless	345	130	80	15,9	2740
5S	-	Endless	345	130	80	18,1	2865
6S	-	Endless	345	130	80	20,3	2970
7S	-	Endless	345	130	80	22,5	3090
8S	-	Endless	345	130	80	24,8	3180
4SJ3	-	Endless	355	130	80	24,1	3400
5SJ3	-	Endless	350	130	80	25,6	3355
6SJ2	-	Endless	350	130	80	25,9	3245

AMCO VEBA
LIFTING BEYOND HORIZONS

H.C.E. s.r.l. unico socio
Via Einstein, 4
42028 Poggio (RE) Italy
Tel. +39 0522 40.80.11
Fax +39 0522 40.80.80
info@amcoveba.it
commerciale@amcoveba.it
www.amcoveba.com



ISO 9001 • ISO 14001

Dealer