

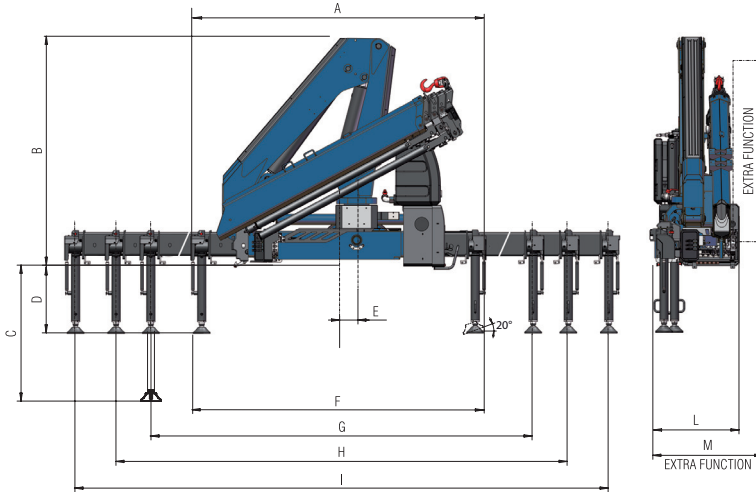
New Generation
809NG



AMCO  **VEBA**
LIFTING BEYOND HORIZONS

New Generation

Technical data 809NG



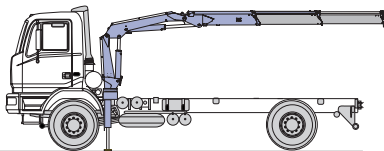
1S	kg	2130	1510
	m	1,00*	5,76

2S	kg	2020	1415	1095	710	600
	m	1,00*	5,76	7,45	9,41	11,21

3S	kg	1920	1320	990	790	600	475
	m	1,00*	5,85	7,54	9,34	11,21	13,22

4S	kg	1850	1230	920	710	600	475
	m	1,00*	5,92	7,61	9,41	11,21	13,22

*) theoretical lifting capacity



Recommended truck:
M.T.T. ton 8 - G.V.W. ton 8

	1S	2S	3S	4S
A	2305	2305	2305	2305
B	2070	2070	2070	2070
C	1185	1185	1185	1185
D	585/530	585/530	585/530	585/530
E	160	160	160	160
F	2270	2270	2270	2270
G	3290	3290	3290	3290
H	4790	4790	4790	4790
I	5755	5755	5755	5755
L	840	840	840	840
M	890	890	890	890

Standard

- Designed in accordance with EN12999
- Design class: HC1-HD4
- Cross controls
- Flanged valves
- Oil tank
- Manually extendable stabilizers
- Fixed stabilizer cylinders
- Swivel stabilizer foot
- Centralized greasing system
- SGS Sprint Generation System
- SDD Soft Descent Drive
- 3XL Crane control system (CE)

	Lift Moment	Slewing Angle	Working pressure	Oil tank capacity	Oil flow	Max Vertical Reach (Hydr)	Crane weight without stabilizers
	tm	°	bar	l	l/min	m	kg
1S	8,7	425	310	75	40	9,1	1030
2S	-	425	310	75	40	10,7	1110
3S	-	425	310	75	40	12,6	1190
4S	-	425	310	75	40	14,4	1260

AMCO VEBA
LIFTING BEYOND HORIZONS

H.C.E. s.r.l. unico socio
Via Einstein, 4
42028 Poggio (RE) Italy
Tel. +39 0522 40.80.11
Fax +39 0522 40.80.80
info@amcoveba.it
commerciale@amcoveba.it
www.amcoveba.com



ISO 9001 • ISO 14001

Dealer