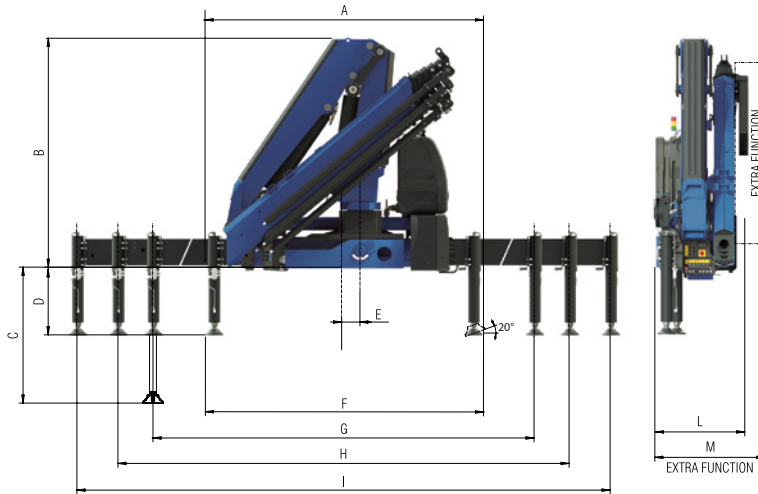


New Generation
917NG



AMCO  **VEBA**
A HYVA GROUP COMPANY

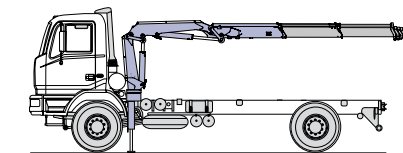
Technical data 917NG



	2S	3S	4S	5S	6S	3SJ3
A	2475	2475	2475	2475	2475	2475
B	2330	2330	2330	2330	2330	2615
C	1355	1355	1355	1355	1355	1355
D	673	673	673	673	673	673
E	160	160	160	160	160	160
F	2470	2470	2470	2470	2470	2470
G	4225	4225	4225	4225	4225	4225
H	5425	5425	5425	5425	5425	5425
I	6625	6625	6625	6625	6625	6625
L	825	825	825	905	905	957
M	940	940	940	985	985	-

Model	kg	kg	kg	kg	kg	kg	kg	kg	kg	kg	kg
2S	15330	3310	2265	1725	1270	950	710				
	1,00*	4,63	6,58	8,53	10,91	12,96	15,11				
3S	14860	3155	2125	1590	1270	950	710	530			
	1,00*	4,71	6,66	8,61	10,66	12,96	15,11	17,26			
4S	14450	3010	2000	1470	1150	950	710	530	400		
	1,00*	4,80	6,75	8,70	10,75	12,80	15,11	17,26	19,36		
5S	14030	2875	1885	1360	1040	845	710	530	400		
	1,00*	4,88	6,83	8,78	10,83	12,88	15,03	17,26	19,36		
6S	13640	2750	1780	1260	945	745	615	530	400		
	1,00*	4,96	6,91	8,86	10,91	12,96	15,11	17,26	19,36		
3SJ3										640	545
										13,60	15,20
										16,70	18,30
										19,90	21,70

*) theoretical lifting capacity



Recommended truck:
M.T.T. ton 15 - G.V.W. ton 15

Standard

- Cross controls
- Load limit device
- Flanged valves
- Designed in accordance with EN12999
- Design class: HC1-HD4
- Oil tank
- Manually extendable stabilizers
- Internal stabilizer pipes
- Fixed stabilizer cylinders
- Swivel stabilizer foot
- Centralized greasing system
- Double linkage
- SGS Sprint Generation System
- SDD Soft Descent Drive
- 3XL Crane control system (CE)

	Lift Moment	Slewing Angle	Working pressure	Oil tank capacity	Oil flow	Max Vertical Reach (Hydr)	Crane weight without stabilizers
	tm	°	bar	l	l/min	m	kg
2S	15,3	425	300	130	40	12,2	1740
3S	-	425	300	130	40	14,4	1870
4S	-	425	300	130	40	16,5	1990
5S	-	425	300	130	40	18,7	2100
6S	-	425	300	130	40	21,0	2195
3SJ3	-	425	315	130	40	21,9	2360

AMCO **VEBA**
A HYVA GROUP COMPANY

H.C.E. s.r.l. unico socio
Via Einstein, 4
42028 Poviglio (RE) Italy
Tel. +39 0522 40.80.11
Fax +39 0522 40.80.80
info@amcoveba.it
commerciale@amcoveba.it
www.amcoveba.com



Dealer

Data, descriptions, and illustrations pertain only and uniquely to models sold at the time of printing of this brochure. After the date of printing, this information is purely indicative and not binding upon H.C.E. Future modifications are solely at the discretion of H.C.E. and are always in compliance with applicable and pertinent safety standards. To obtain updated data, descriptions, and illustrations, contact the manufacturer or your reseller. Cranes manufactured and/or marketed by H.C.E. are not responsible for the special applications depicted. Crane applications and accessories described herein are only examples. Some applications and equipment shown may not be approved for use in CE countries or other areas. It is the installer's responsibility to ensure that the crane is applied correctly, and that its application, installation, and accessories maintain safety and comply with all local laws.