

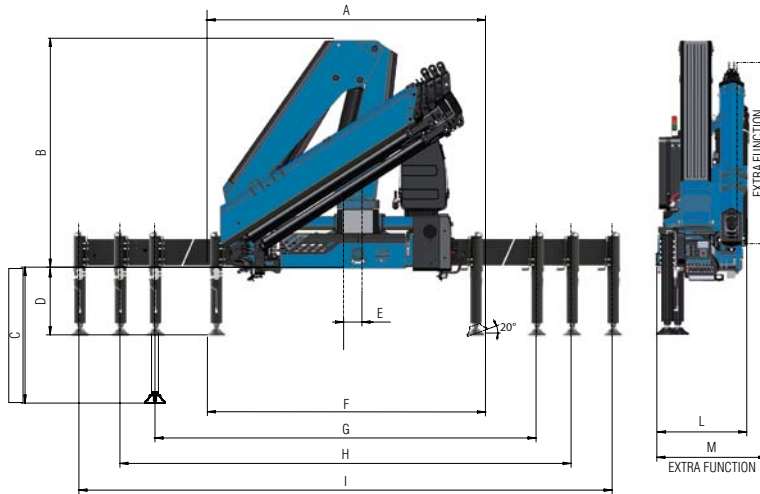
New Generation  
**821NG**



**AMCO**  **VEBA**  
LIFTING BEYOND HORIZONS

# New Generation

## Technical data 821NG



2S	kg	18940	4405	3000	2280
	m	1,00*	4,30	6,20	8,10

3S	kg	18575	4320	2970	2230	1700	1280	980	770
	m	1,00*	4,30	6,20	8,10	10,13	12,25	14,46	16,59

4S	kg	17995	4100	2830	2120	1625	1280	980	770	630
	m	1,00*	4,39	6,29	8,19	10,22	12,25	14,46	16,59	18,70

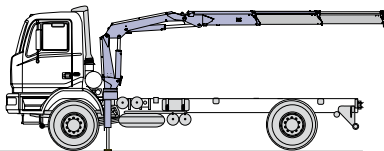
5S	kg	17610	3940	2585	1880	1440	1165	980	770	630
	m	1,00*	4,47	6,37	8,27	10,30	12,33	14,46	16,59	18,70

\*) theoretical lifting capacity

	2S	3S	4S	5S
A	2500	2500	2500	2500
B	2300	2300	2300	2300
C	1348	1348	1348	1348
D	611/666	611/666	611/666	611/666
E	150	150	150	150
F	2520	2520	2520	2520
G	4860	4860	4860	4860
H	5500	5500	5500	5500
I	7420	7420	7420	7420
L	930	930	930	930
M	1050	1050	1050	1050

### Standard

- Designed in accordance with EN12999
- Design class: HC1-HD4
- Cross controls
- Load limit device
- Flanged valves
- Oil tank
- Manually extendable stabilizers
- Internal stabilizers pipes
- Fixed stabilizer cylinders
- Swivel stabilizer foot
- Centralized greasing system
- SGS Sprint Generation System
- SDD Soft Descent Drive
- 3XL Crane control system (CE)



Recommended truck:  
M.T.T. ton 17 - G.V.W. ton 17

	Lifting Moment	Slewing Angle	Working pressure	Oil tank capacity	Oil flow	Max Vertical Reach (Hydr)	Crane weight without stabilizers
	tm	°	bar	l	l/min	m	kg
2S	18,9	415	315	130	70	11,9	2040
3S	-	415	315	130	70	13,9	2190
4S	-	415	315	130	70	16,1	2335
5S	-	415	315	130	70	18,2	2450

**AMCO VEBA**  
LIFTING BEYOND HORIZONS

**H.C.E. s.r.l.** unico socio  
Via Einstein, 4  
42028 Poviglio (RE) Italy  
Tel. +39 0522 40.80.11  
Fax +39 0522 40.80.80  
info@amcoveba.it  
commerciale@amcoveba.it  
www.amcoveba.com



Dealer