

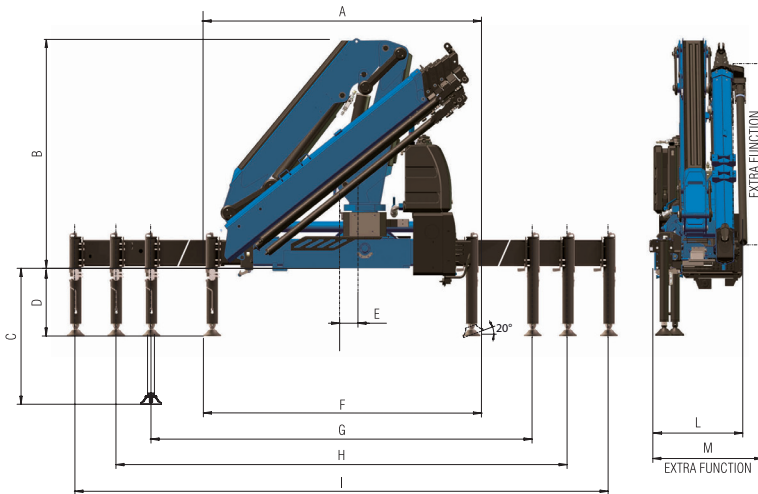
New Generation 910NG



AMCO  **VEBA**
LIFTING BEYOND HORIZONS

New Generation

Technical data 910NG



1S

kg	8860	2125	1490
m	1,00*	4,17	5,98

2S

kg	8570	2055	1415	1080	765	565
m	1,00*	4,17	5,98	7,79	9,82	11,85

3S

kg	8330	1960	1320	990	785	580	400
m	1,00*	4,25	6,06	7,87	9,82	11,85	14,00

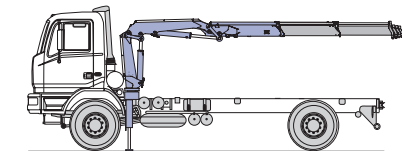
4S

kg	8010	1850	1220	895	690	560	400	335
m	1,00*	4,33	6,14	7,95	9,90	11,85	14,00	16,18

5S

kg	7480	1700	1100	790	595	475	395	310
m	1,00*	4,40	6,21	8,02	9,97	11,92	14,00	16,18

*) theoretical lifting capacity



Recommended truck:
M.T.T. ton 10 - G.V.W. ton 10

	1S	2S	3S	4S	5S
A	2290	2290	2290	2290	2290
B	2085	2085	2085	2085	2085
C	1185	1185	1185	1185	1185
D	530/585	530/585	530/585	530/585	530/585
E	160	160	160	160	160
F	2270	2270	2270	2270	2270
G	3290	3290	3290	3290	3290
H	4790	4790	4790	4790	4790
I	5755	5755	5755	5755	5755
L	840	840	840	840	885
M	885	885	885	885	950

Standard

- Designed in accordance with EN12999
- Design class: HC1-HD4
- Cross controls
- Flanged valves
- Oil tank
- Manually extendable stabilizers
- Fixed stabilizer cylinders
- Swivel stabilizer foot
- Centralized greasing system
- Double linkage
- SGS Sprint Generation System
- SDD Soft Descent Drive
- AVPS Amco Veba Power System
- 3XL Crane control system (CE)

	Lift Moment	Slewing Angle	Working pressure	Oil tank capacity	Oil flow	Max Vertical Reach (Hydr)	Crane weight without stabilizers
	tm	°	bar	l	l/min	m	kg
1S	8,9	425	335	75	40	9,3	1105
2S	-	425	335	75	40	10,9	1195
3S	-	425	335	75	40	13,1	1285
4S	-	425	330	75	40	15,1	1370
5S	-	425	327	75	40	17,3	1445

AMCO Veba
LIFTING BEYOND HORIZONS

H.C.E. s.r.l. unico socio
Via Einstein, 4
42028 Poviglio (RE) Italy
Tel. +39 0522 40.80.11
Fax +39 0522 40.80.80
info@amcoveba.it
commerciale@amcoveba.it
www.amcoveba.com



Dealer