

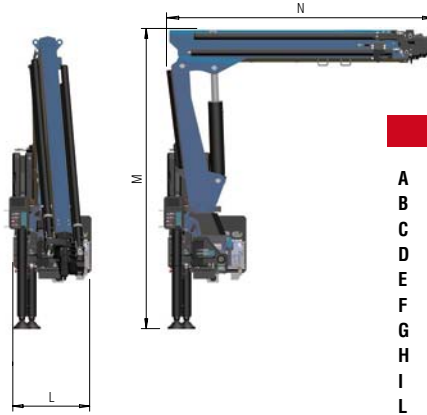
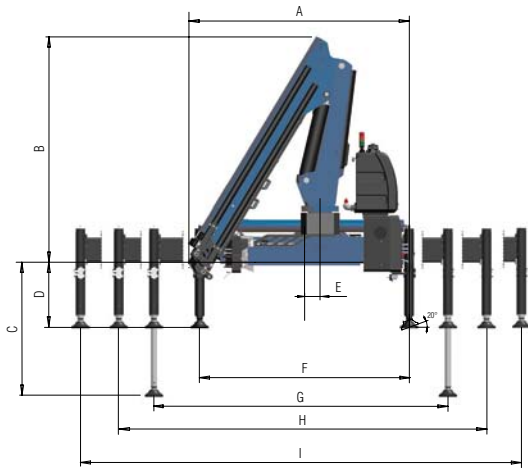
New Generation  
**811NG**  
**T**



**AMCO**  **VEBA**  
LIFTING BEYOND HORIZONS

# New Generation

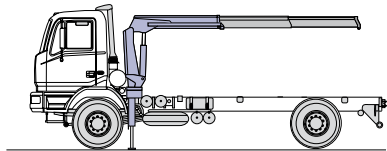
## Technical data 811NG T



	2S	3S	4S
<b>A</b>	2310	2310	2310
<b>B</b>	2320	2320	2320
<b>C</b>	1327	1327	1327
<b>D</b>	635/690	635/690	635/690
<b>E</b>	160	160	160
<b>F</b>	2303	2303	2303
<b>G</b>	3300	3300	3300
<b>H</b>	4805	4805	4805
<b>I</b>	5765	5765	5765
<b>L</b>	830	830	830
<b>M</b>	2390	2390	2390
<b>N</b>	2590	2660	2750

	2S				3S				4S						
kg	10250	4745	2516	1705	10170	4540	2397	1603	1203	10100	4373	2302	1521	1125	900
m	1,00*	2,16	4,07	5,98	1,00*	2,24	4,15	6,05	8,00	1,00*	2,31	4,22	6,13	8,08	10,03

\*) theoretical lifting capacity



Recommended truck:  
M.T.T. ton 10 - G.V.W. ton 10

### Standard

- Designed in accordance with EN12999
- Design class: HC1-D4
- Cross controls
- Flanged valves
- Oil tank
- Manually extendable stabilizers
- Fixed stabilizer cylinders
- Swivel stabilizer foot
- Centralized greasing system
- SDD Smooth Descent Drive
- 3XL Crane control system (CE)

	Lifting Moment	Swiveling Angle	Working pressure	Oil tank capacity	Oil flow	Max Vertical Reach (Hydr)	Crane weight without stabilizers
	tm	°	bar	l	l/min	m	kg
<b>2S</b>	10,2	425	300	75	40	9,2	1060
<b>3S</b>	-	425	300	75	40	11,2	1150
<b>4S</b>	-	425	300	75	40	13,1	1230

**AMCO VEBA**  
LIFTING BEYOND HORIZONS

**H.C.E. s.r.l.** unico socio  
Via Einstein, 4  
42028 Poggio (RE) Italy  
Tel. +39 0522 40.80.11  
Fax +39 0522 40.80.80  
info@amcoveba.it  
commerciale@amcoveba.it  
www.amcoveba.com



Dealer