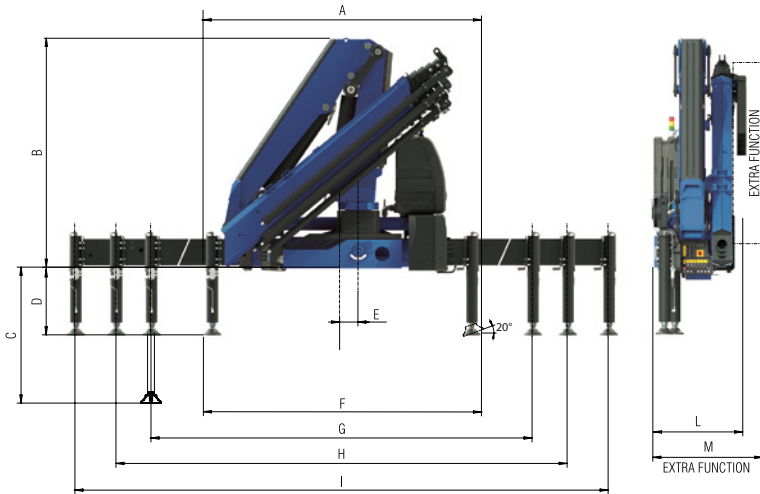


New Generation
918NG



AMCO  **VEBA**
A HYVA GROUP COMPANY

Technical data 918NG



	2S	3S	4S	5S	6S	3SJ3
A	2475	2475	2475	2475	2475	2475
B	2330	2330	2330	2330	2330	2615
C	1355	1355	1355	1355	1355	1355
D	673	673	673	673	673	673
E	160	160	160	160	160	160
F	2470	2470	2470	2470	2470	2470
G	4225	4225	4225	4225	4225	4225
H	5425	5425	5425	5425	5425	5425
I	6625	6625	6625	6625	6625	6625
L	825	825	825	905	905	957
M	940	940	940	985	985	-

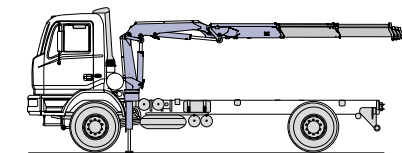
Standard

- Cross controls
- Load limit device
- Flanged valves
- Designed in accordance with EN12999
- Design class: HC1-HD4
- Oil tank
- Manually extendable stabilizers
- Internal stabilizer pipes
- Fixed stabilizer cylinders
- Swivel stabilizer foot
- Centralized greasing system
- Double linkage
- SGS Sprint Generation System
- SDD Soft Descent Drive
- 3XL Crane control system (CE)

Model	kg	m	kg	m	kg	m	kg	m	kg	m	kg	m	kg	m
2S	15720	1,00*	3395	4,63	2345	6,58	1810	8,53	1350	10,91	1025	12,96	780	15,11
3S	14260	1,00*	3240	4,71	2205	6,66	1670	8,61	1350	10,66	1025	12,96	780	15,11
4S	14830	1,00*	3090	4,80	2075	6,75	1545	8,70	1225	10,75	1025	12,80	780	15,11
5S	14420	1,00*	2955	4,88	1955	6,83	1430	8,78	1110	10,83	910	12,88	780	15,03
6S	13040	1,00*	2830	4,96	1845	6,91	1325	8,86	1005	10,91	805	12,96	675	15,11
3SJ3											700	13,60	605	15,20
													560	16,70
													475	18,30
													370	19,90
													310	21,70

*) theoretical lifting capacity

	Lift Moment	Slewing Angle	Working pressure	Oil tank capacity	Oil flow	Max Vertical Reach (Hydr)	Crane weight without stabilizers
	tm	°	bar	l	l/min	m	kg
2S	15,7	425	310	130	40	12,2	1745
3S	-	425	310	130	40	14,4	1875
4S	-	425	310	130	40	16,5	1995
5S	-	425	310	130	40	18,8	2105
6S	-	425	310	130	40	21,0	2200
3SJ3	-	425	330	130	40	21,9	2365



H.C.E. s.r.l. unico socio
 Via Einstein, 4
 42028 Poviglio (RE) Italy
 Tel. +39 0522 40.80.11
 Fax +39 0522 40.80.80
 info@amcoveba.it
 commerciale@amcoveba.it
 www.amcoveba.com



Dealer