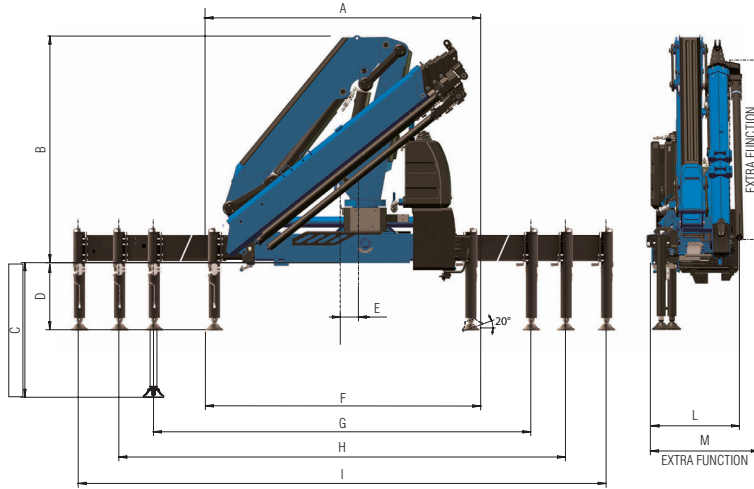


New Generation
925NG



AMCO  **VEBA**
LIFTING BEYOND HORIZONS

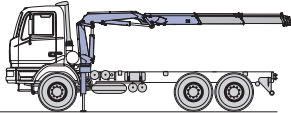
Technical data 925NG



| | E2 | E3 | E4 | E5 | E6 | E7 | E8 | E4J3 | E5J3 | E6J2 |
|----------|---------|---------|---------|---------|---------|---------|---------|---------|---------|---------|
| A | 2500 | 2500 | 2500 | 2500 | 2500 | 2500 | 2500 | 2520 | 2500 | 2500 |
| B | 2300 | 2300 | 2300 | 2300 | 2300 | 2300 | 2330 | 2715 | 2615 | 2605 |
| C | 1348 | 1348 | 1348 | 1348 | 1348 | 1348 | 1348 | 1348 | 1348 | 1348 |
| D | 611/666 | 611/666 | 611/666 | 611/666 | 611/666 | 611/666 | 611/666 | 611/666 | 611/666 | 611/666 |
| E | 150 | 150 | 150 | 150 | 150 | 150 | 150 | 150 | 150 | 150 |
| F | 2520 | 2520 | 2520 | 2520 | 2520 | 2520 | 2520 | 2520 | 2520 | 2520 |
| G | 4860 | 4860 | 4860 | 4860 | 4860 | 4860 | 4860 | 4860 | 4860 | 4860 |
| H | 5500 | 5500 | 5500 | 5500 | 5500 | 5500 | 5500 | 5500 | 5500 | 5500 |
| I | 7420 | 7420 | 7420 | 7420 | 7420 | 7420 | 7420 | 7420 | 7420 | 7420 |
| L | 935 | 935 | 935 | 935 | 935 | 1005 | 1005 | 1055 | 1055 | 1055 |
| M | 1055 | 1055 | 1055 | 1055 | 1055 | 1080 | 1080 | - | - | - |

| | | | | | | | | | | | | |
|-------------|----|-------|------|------|------|-------|-------|-------|-------|-------|-------|-------|
| 2S | kg | 35100 | 5435 | 3770 | 2910 | | | | | | | |
| | m | 1,00* | 4,28 | 6,18 | 8,08 | | | | | | | |
| 3S | kg | 22855 | 5340 | 3665 | 2795 | 2255 | 1765 | 1455 | 1000 | | | |
| | m | 1,00* | 4,28 | 6,18 | 8,08 | 10,11 | 12,22 | 14,44 | 16,65 | | | |
| 4S | kg | 21995 | 5045 | 3430 | 2585 | 2055 | 1725 | 1390 | 1140 | 605 | | |
| | m | 1,00* | 4,36 | 6,26 | 8,33 | 10,19 | 12,22 | 14,44 | 16,65 | 18,90 | | |
| 5S | kg | 21155 | 4765 | 3210 | 2385 | 1870 | 1545 | 1320 | 1025 | 870 | 535 | |
| | m | 1,00* | 4,44 | 6,34 | 8,24 | 10,27 | 12,30 | 14,43 | 16,65 | 18,90 | 21,18 | |
| 6S | kg | 20770 | 4585 | 3060 | 2250 | 1730 | 1405 | 1180 | 1035 | 700 | 630 | |
| | m | 1,00* | 4,53 | 6,43 | 8,33 | 10,36 | 12,39 | 14,52 | 16,65 | 18,90 | 21,18 | |
| 7S | kg | 20350 | 4415 | 2920 | 2120 | 1610 | 1280 | 1050 | 905 | 805 | 670 | |
| | m | 1,00* | 4,61 | 6,51 | 8,41 | 10,44 | 12,47 | 14,60 | 16,73 | 18,90 | 21,18 | |
| 8S | kg | 20115 | 4280 | 2810 | 2020 | 1510 | 1185 | 960 | 805 | 700 | 630 | |
| | m | 1,00* | 4,70 | 6,60 | 8,50 | 10,53 | 12,56 | 14,69 | 16,82 | 18,98 | 21,18 | |
| 4SJ3 | kg | | | | | | 730 | 640 | 565 | 515 | 435 | 370 |
| | m | | | | | | 15,21 | 16,91 | 18,66 | 20,41 | 22,30 | 24,21 |
| 5SJ3 | kg | | | | | | 600 | 540 | 495 | 465 | 405 | 355 |
| | m | | | | | | 17,26 | 18,82 | 20,38 | 21,94 | 23,60 | 25,38 |
| 6SJ2 | kg | | | | | | 570 | 530 | 490 | | | |
| | m | | | | | | 19,38 | 20,76 | 22,24 | | | |

*) theoretical lifting capacity



Recommended truck:
M.T.T. ton 19 - G.V.W. ton 19

Standard

- Designed in accordance with EN12999
- Design class: HC1-HD4
- Cross controls
- Flanged valves
- Oil tank
- Manually extendable stabilizers
- Fixed stabilizer cylinders
- Swivel stabilizer foot
- Centralized greasing system
- Double linkage
- SGS Sprint Generation System
- SDD Soft Descent Drive
- 3XL Crane control system (CE)

| | Lifting Moment | Swiveling Angle | Working pressure | Oil tank capacity | Oil flow | Max Vertical Reach (Hydr) | Crane weight without stabilizers |
|-------------|----------------|-----------------|------------------|-------------------|----------|---------------------------|----------------------------------|
| | tm | | | | | | |
| 2S | 23,3 | 415 | 330 | 130 | 80 | 11,7 | 2315 |
| 3S | - | 415 | 330 | 130 | 80 | 13,8 | 2455 |
| 4S | - | 415 | 330 | 130 | 80 | 15,9 | 2595 |
| 5S | - | 415 | 330 | 130 | 80 | 18,1 | 2720 |
| 6S | - | 415 | 330 | 130 | 80 | 20,3 | 2825 |
| 7S | - | 415 | 330 | 130 | 80 | 22,5 | 2945 |
| 8S | - | 415 | 330 | 130 | 80 | 24,8 | 3035 |
| 4SJ3 | - | 415 | 330 | 130 | 80 | 24,1 | 3255 |
| 5SJ3 | - | 415 | 330 | 130 | 80 | 25,6 | 3210 |
| 6SJ2 | - | 415 | 330 | 130 | 80 | 25,9 | 3100 |

AMCO VEBA
LIFTING BEYOND HORIZONS

H.C.E. s.r.l. unico socio
Via Einstein, 4
42028 Poviglio (RE) Italy
Tel. +39 0522 40.80.11
Fax +39 0522 40.80.80
info@amcoveba.it
commerciale@amcoveba.it
www.amcoveba.com



Dealer