

New Generation
VR66NG

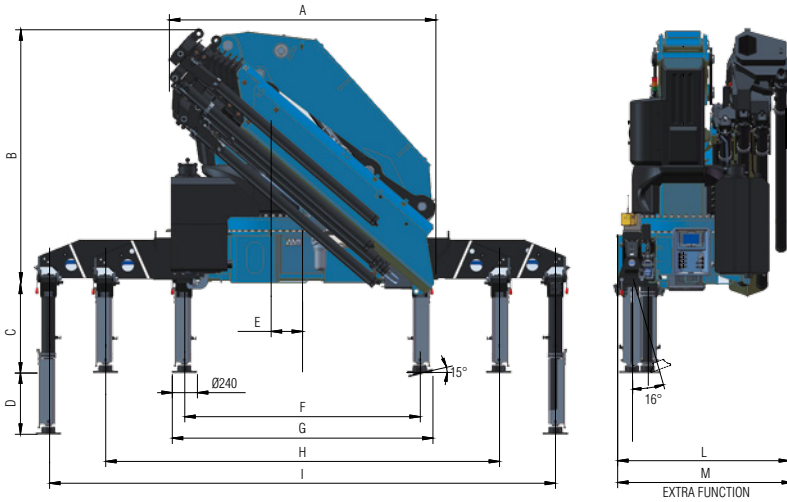
**THE STRONGEST IN
ITS RANGE +63.2 TM**



AMCO  **VEBA**
LIFTING BEYOND HORIZONS

New Generation

Technical data VR66NG



	2S	4S	6S	8S	6SJ1206	6SJ2006
A	2530	2530	2530	2550	2550	2550
B	2430	2430	2430	2430	2780	2740
C	860	860	860	860	860	860
D	586	586	586	586	586	586
E	300	300	300	300	300	300
F	2255	2255	2255	2255	2255	2255
G	2495	2495	2495	2495	2495	2495
H	6660	6660	6660	6660	6660	6660
I	8670	8670	8670	8670	8670	8670
L	1480	1480	1480	1635	1665	1665
M	1585	1585	1585	1690	-	-

Standard

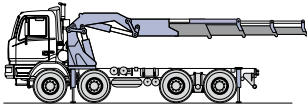
Designed in accordance with EN12999

Design class: HC1-HD5

- Multifunction radio remote control
- Sauer Danfoss PVG32
- One site auxiliary manual controls (on column)
- Super AVPS Amco Veba Power System
- Flanged valves
- Double linkage
- SGS Sprint Generation System
- SDD Soft Descent Drive
- High pressure oil filter
- Load sensing pump predisposition
- Stabilizers control valve
- Hydraulically extendable stabilizers
- Fixed stabilizer cylinders
- Swivel stabilizer foot
- Stability Control System (CE)
- Visual warning device for closed stabilizers (CE)
- 4XL Crane control system (CE) +TOP

2S		kg 63280 14270 10170 7910	m 1,00* 4,35 6,15 8,00
4S		kg 60210 13500 9540 7325 5860 4900 3615 3130 2365 2110	m 1,00* 4,46 6,26 8,06 10,00 11,96 14,08 16,18 18,52 20,70
6S		kg 57570 12850 8910 6720 5265 4315 3615 3130 2365 2110 1700 1350	m 1,00* 4,48 6,28 8,10 10,05 11,98 14,08 16,18 18,52 20,70 22,85 25,00
8S		kg 56270 12050 8330 6230 4810 3880 3195 2715 2365 2110 1700 1350	m 1,00* 4,67 6,47 8,30 10,25 12,20 14,30 16,40 18,52 20,70 22,85 25,00
6S		kg 1490 1320 1200 1100 1020 940 880 650	m 19,65 21,30 22,90 24,50 26,20 28,00 29,80 31,00
J1206		kg 1200 1070 960 860 790 730 680 520	m 19,65 21,30 22,90 24,50 26,20 28,00 29,80 31,00
6S		kg 1200 1070 960 860 790 730 680 520	m 19,65 21,30 22,90 24,50 26,20 28,00 29,80 31,00
J2006		kg 1200 1070 960 860 790 730 680 520	m 19,65 21,30 22,90 24,50 26,20 28,00 29,80 31,00

*) theoretical lifting capacity



Recommended truck:
M.T.T. ton 42 - G.V.W. ton 42

	Lifting Moment	Swiveling Angle	Working pressure	Oil tank capacity	Oil flow	Max Vertical Reach (Hydr)	Crane weight without stabilizers
	tm	°	bar	l	l/min	m	kg
2S	63,2	Endless	365	250	100	11,9	4625
4S	-	Endless	365	250	100	15,9	5190
6S	-	Endless	365	250	100	20,3	5720
8S	-	Endless	365	300	100	24,7	6130
6SJ1206	-	Endless	-	250/300	100	33,8	6910
6SJ2006	-	Endless	-	250/300	100	33,8	7210

AMCO Veba
LIFTING BEYOND HORIZONS

H.C.E. s.r.l. unico socio
Via Einstein, 4
42028 Poviglio (RE) Italy
Tel. +39 0522 40.80.11
Fax +39 0522 40.80.80
info@amcoveba.it
commerciale@amcoveba.it
www.amcoveba.com



ISO 9001 • ISO 14001

Dealer