

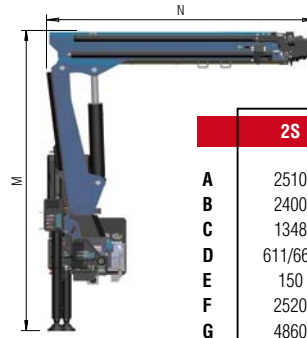
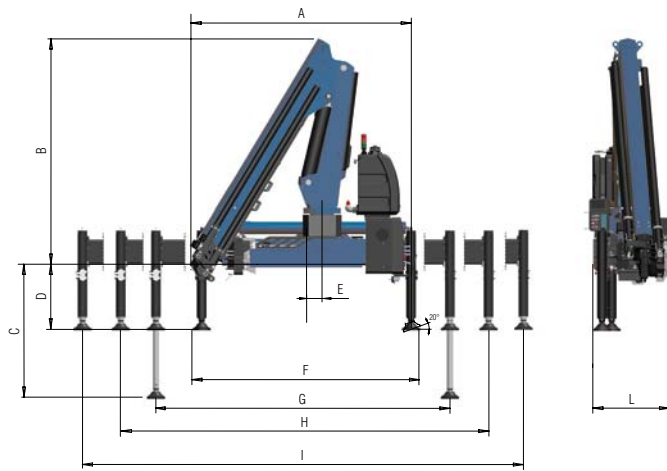
New Generation
821 NG
T



AMCO  **VEBA**
LIFTING BEYOND HORIZONS

New Generation

Technical data 821NG T



	2S	3S	4S	5S
A	2510	2510	2540	2540
B	2400	2400	2400	2400
C	1348	1348	1348	1348
D	611/666	611/666	611/666	611/666
E	150	150	150	150
F	2520	2520	2520	2520
G	4860	4860	4860	4860
H	5500	5500	5500	5500
I	7420	7420	7420	7420
L	870	870	870	870
M	2685	2685	2685	2685
N	2850	2935	3020	3100

2S

kg	8335	4790	3360
m	1,00*	2,42	4,22

3S

kg	8250	4750	3400	2495
m	1,00*	2,51	4,31	6,11

4S

kg	7930	4660	3250	2440	1895
m	1,00*	2,59	4,39	6,19	8,13

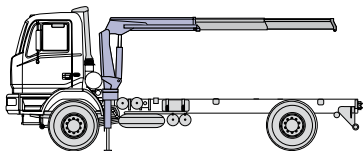
5S

kg	7115	4220	2935	2170	1755	1375
m	1,00*	2,70	4,47	6,27	8,21	10,15

*) theoretical lifting capacity

Standard

- Designed in accordance with EN12999
- Design class: HC1-D4
- Cross controls
- Load limit device
- Flanged valves
- Oil tank
- Manually extendable stabilizers
- Internal stabilizer pipes
- Fixed stabilizer cylinders
- Swivel stabilizer foot
- Centralized greasing system
- SDD Smooth Descent Drive
- 3XL Crane control system (CE)



Recommended truck:
M.T.T. ton 18 - G.V.W. ton 18

	Lifting Moment	Swiveling Angle	Working pressure	Oil tank capacity	Oil flow	Max Vertical Reach (Hydr)	Crane weight without stabilizers
	tm	°	bar	l	l/min	m	kg
2S	20,2	415	315	130	70	9,7	1680
3S	-	415	315	130	70	11,7	1825
4S	-	415	315	130	70	13,7	1945
5S	-	415	300	130	70	15,7	2040

AMCO VEBA
LIFTING BEYOND HORIZONS

H.C.E. s.r.l. unico socio
Via Einstein, 4
42028 Poviglio (RE) Italy
Tel. +39 0522 40.80.11
Fax +39 0522 40.80.80
info@amcoveba.it
commerciale@amcoveba.it
www.amcoveba.com



Dealer