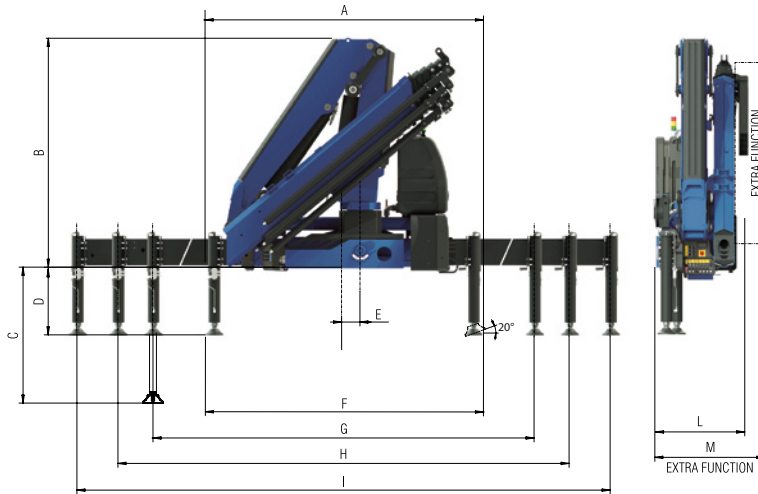


New Generation
914NG



AMCO  **VEBA**
A HYVA GROUP COMPANY

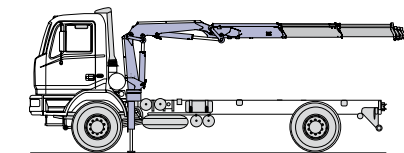
Technical data 914NG



	2S	3S	4S	5S	6S	3SJ2	4SJ2
A	2450	2450	2450	2450	2450	2450	2450
B	2330	2330	2330	2330	2330	2450	2500
C	1374	1374	1374	1374	1374	1374	1374
D	682	682	682	682	682	682	682
E	160	160	160	160	160	160	160
F	2445	2445	2445	2445	2445	2445	2445
G	4200	4200	4200	4200	4200	4200	4200
H	5400	5400	5400	5400	5400	5400	5400
I	6600	6600	6600	6600	6600	6600	6600
L	825	825	825	895	895	940	940
M	930	930	930	975	975	-	-

Model	kg	m	kg	m	kg	m	kg	m	kg	m	kg	m								
2S	12010	1,00*	2595	4,63	1770	6,58	1345	8,53	975	10,91	720	12,96	525	15,11						
3S	11610	1,00*	2465	4,71	1650	6,66	1230	8,61	975	10,66	720	12,96	525	15,11	375	17,26				
4S	11230	1,00*	2340	4,80	1540	6,75	1125	8,70	870	10,75	720	12,80	525	15,11	375	17,26	280	19,36		
5S	10860	1,00*	2225	4,88	1435	6,83	1025	8,78	775	10,83	625	12,88	525	15,03	375	17,26	280	19,36		
6S	10520	1,00*	2120	4,96	1345	6,91	935	8,86	690	10,91	535	12,96	435	15,11	375	17,26	280	19,36		
3SJ2													430	13,35	380	14,75	340	16,22	260	17,80
4SJ2													250	15,50	220	16,85	200	18,35	130	19,89

*) theoretical lifting capacity



Recommended truck:
M.T.T. ton 12 - G.V.W. ton 12

Standard

- Cross controls
- Load limit device
- Flanged valves
- Designed in accordance with EN12999
- Design class: HC1-HD4
- Oil tank
- Manually extendable stabilizers
- Internal stabilizer pipes
- Fixed stabilizer cylinders
- Swivel stabilizer foot
- Centralized greasing system
- Double linkage
- SGS Sprint Generation System
- SDD Soft Descent Drive
- 3XL Crane control system (CE)

	Lift Moment	Slewing Angle	Working pressure	Oil tank capacity	Oil flow	Max Vertical Reach (Hyd)	Crane weight without stabilizers
	tm	°	bar	l	l/min	m	kg
2S	12,0	425	290	130	30	12,2	1610
3S	-	425	290	130	30	14,4	1725
4S	-	425	290	130	30	16,5	1830
5S	-	425	290	130	30	18,8	1930
6S	-	425	290	130	30	21,0	2020
3SJ2	-	425	290	130	30	19,8	2125
4SJ2	-	425	290	130	30	22,0	2230

AMCO **VEBA**
A HYVA GROUP COMPANY

H.C.E. s.r.l. unico socio
Via Einstein, 4
42028 Poggio (RE) Italy
Tel. +39 0522 40.80.11
Fax +39 0522 40.80.80
info@amcoveba.it
commerciale@amcoveba.it
www.amcoveba.com



ISO 9001 • ISO 14001

Dealer